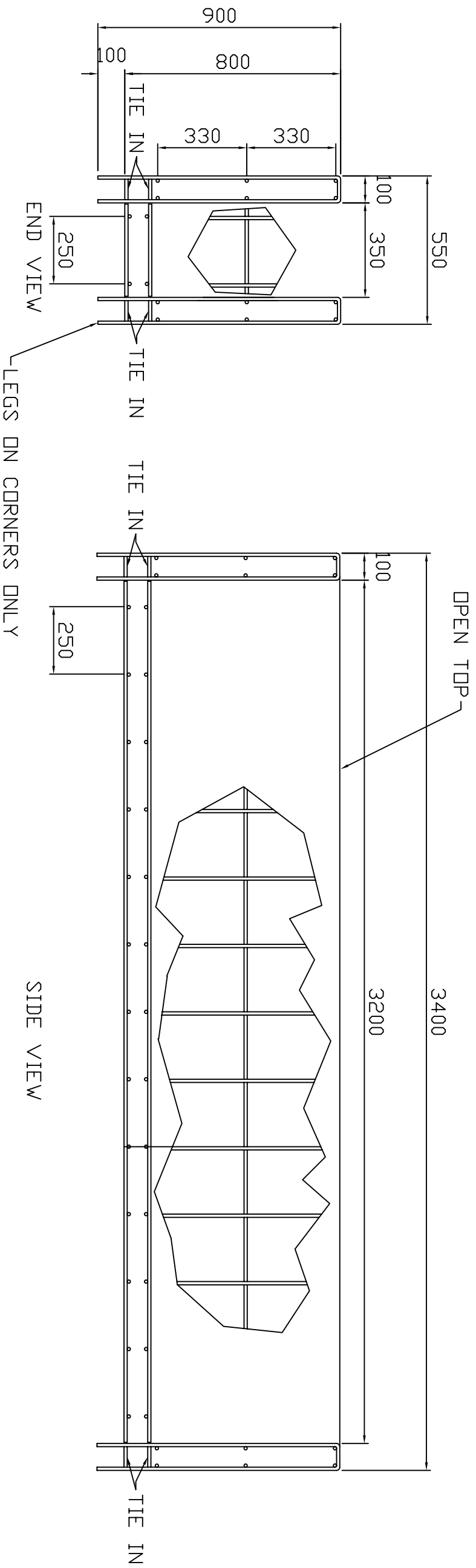



PLAN VIEW



SIDE VIEW

ISSUE	MANUFACTURE	SIG.	DATE
A		M.J	6/7/05
REVISION			
3rd ANGLE PROJECTION	CRASH BARRIER		
COMPUTER GENERATED DO NOT ALTER BY HAND			
IF IN DOUBT ASK			
Material	Rebar	Drawing No.	Scale
Ø12 RE-BAR		CB-1-09	1:15
		1	A


 Avon Barrier Company Ltd.
 Move House
 195 South Liberty Lane
 Ashton Vale Trading Estate
 Bristol BS3 2JU
 Tel: (44) (0117) 853 8822
 Fax: (44) (0117) 853 8873
 E-mail: technical@avon-barrier.co.uk

Drawing Title
 CRASH BARRIER
 RE BAR CAGE