

BOOM 41.3 Kg/M  
PFC 32.2 Kg/M



Avon Barrier Company Ltd  
Nova House  
195 South Liberty Lane  
Ashton Vale Trading Estate  
Bristol BS3 2UU  
Tel: (44) (0117) 953 5252  
Fax: (44) (0117) 953 5373  
E-mail: MECHANICAL@AVON-BARRIER.CO.UK

Drawing Title  
**SECURITY SWING GATE FOUNDATIONS**

ISSUE	REVISION	SIG	DATE
B	OPENING CATCHER	M.J	22/8/08
A	NEW	M.J	23/2/07

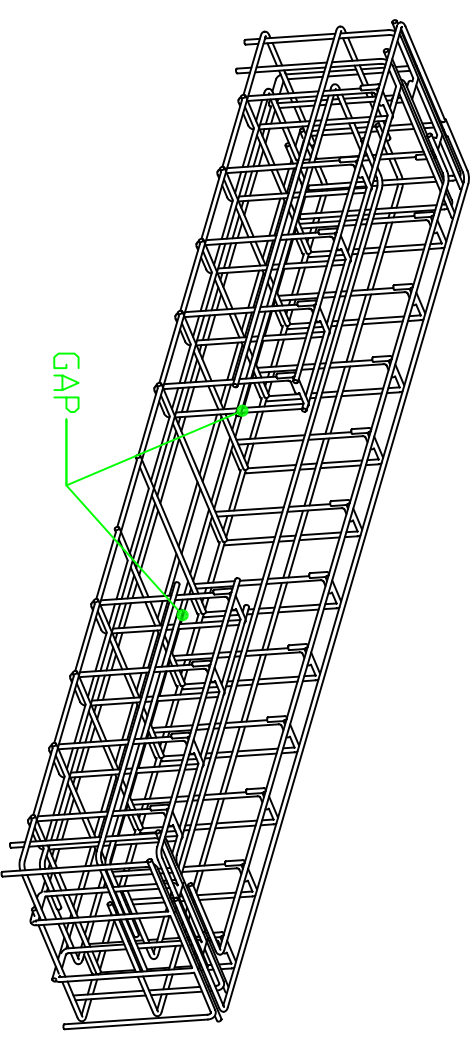
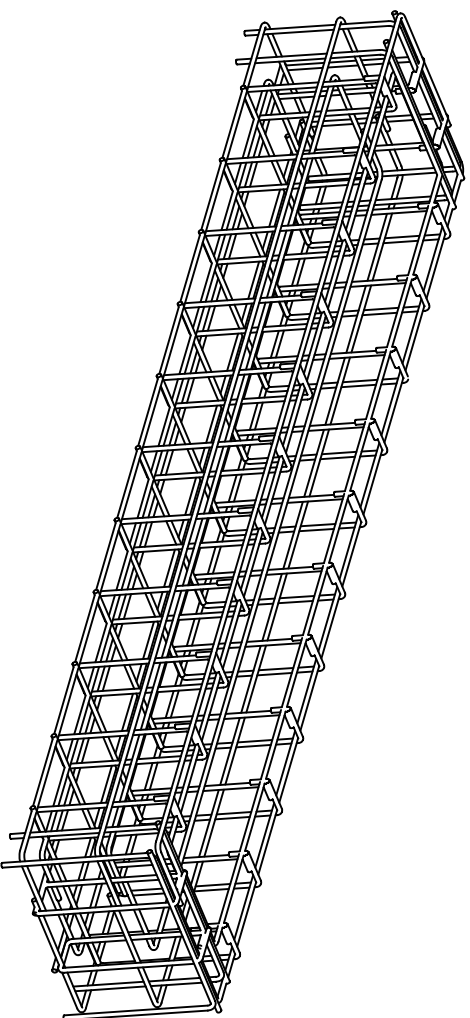
3rd ANGLE PROJECTION

IF IN DOUBT ASK COMPUTER GENERATED DID NOT ALTER BY HAND

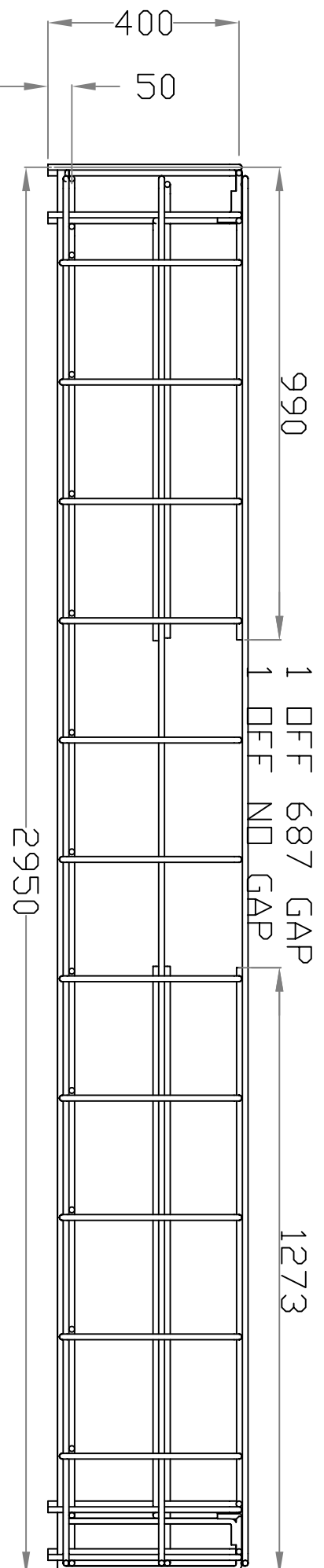
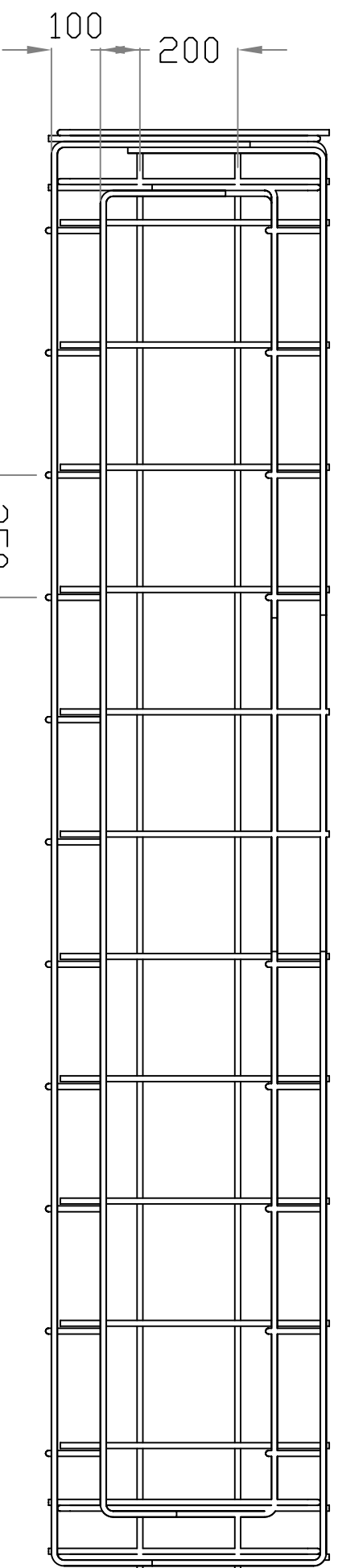
Material	Finish

Scale	Shr.	Dr	Rev.
NTS	1	1	B

Drawing No.  
**GC1100CR\_101**



2 CAGES REQUIRED, CG1100CR\_103 BENDING  
 SCHEDULE AVAILABLE ON REQUEST



Avon Barrier Company Ltd  
 Nova House  
 195 South Liberty Lane  
 Ashton Vale Trading Estate  
 Bristol BS3 2UJ  
 Tel (44) (0117) 953 5252  
 Fax (44) (0117) 953 5373  
 E-mail: MECHANICAL@AVON-BARRIER.CO.UK

Drawing Title  
**MANUAL SECURITY SWING GATE REBAR**

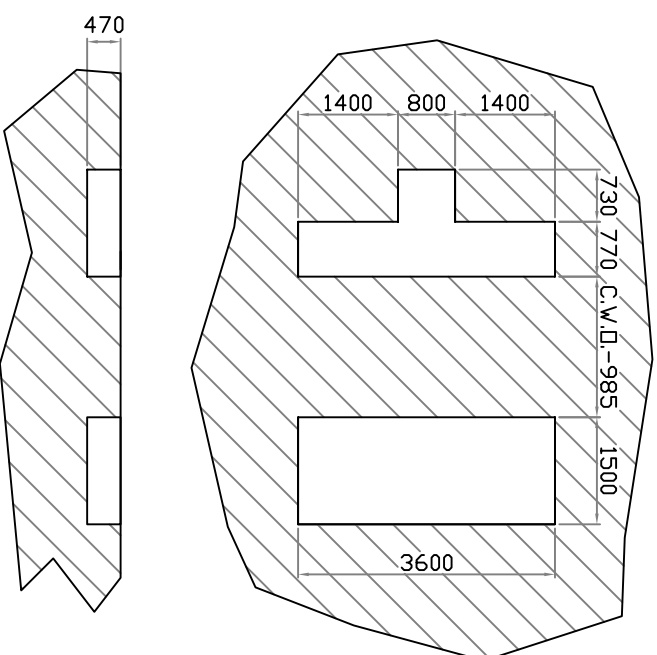
B	REF: CG1100CR_103 SCHEDULE	M.J	10/10/08		
A	NEW	M.J	17/9/08		
ISSUE	REVISION	SIG	DATE		

Tolerances	±2	Used on	
Drawing No.	GC1100CR_102		

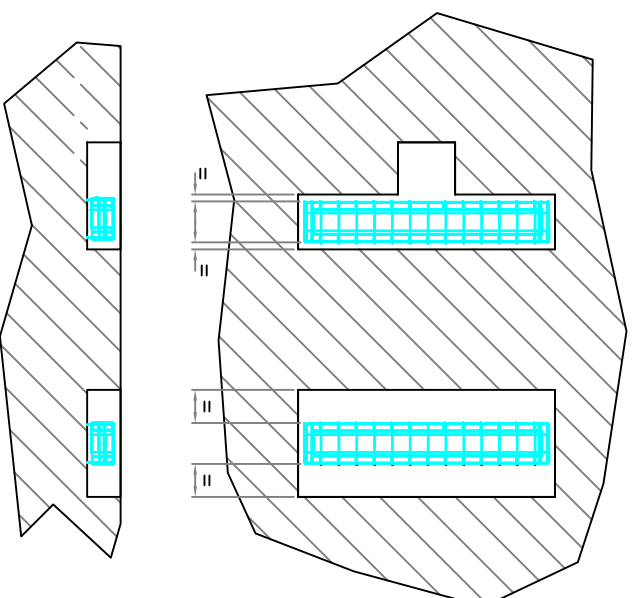
Material	SEE TABLE	Finish	NONE
Scale	1	Sht. of	1
		Rev.	B

3rd ANGLE PROJECTION  
 COMPUTER GENERATED  
 DO NOT ALTER BY HAND  
 IF IN DOUBT ASK

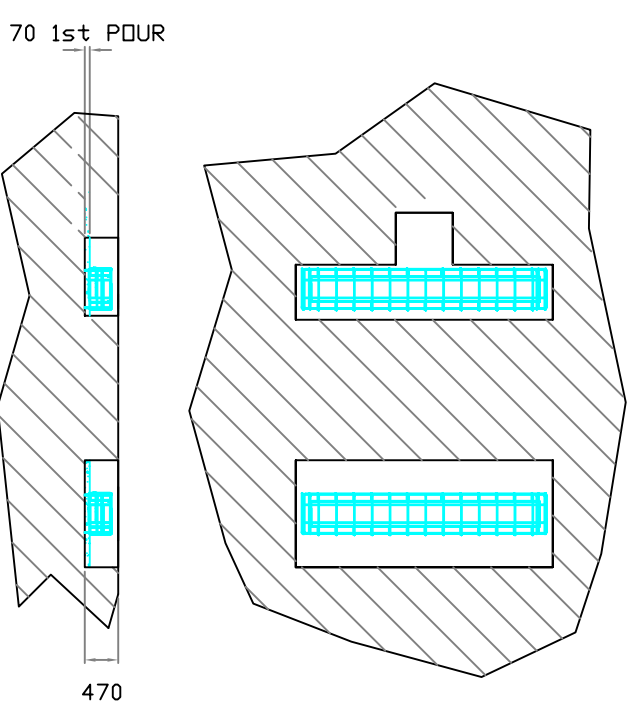
STAGE 1  
EXCAVATE TO THE SIZES SHOWN.  
COMPACT AND LEVEL BASE.  
REF. DRAWING GC1100CR-101.



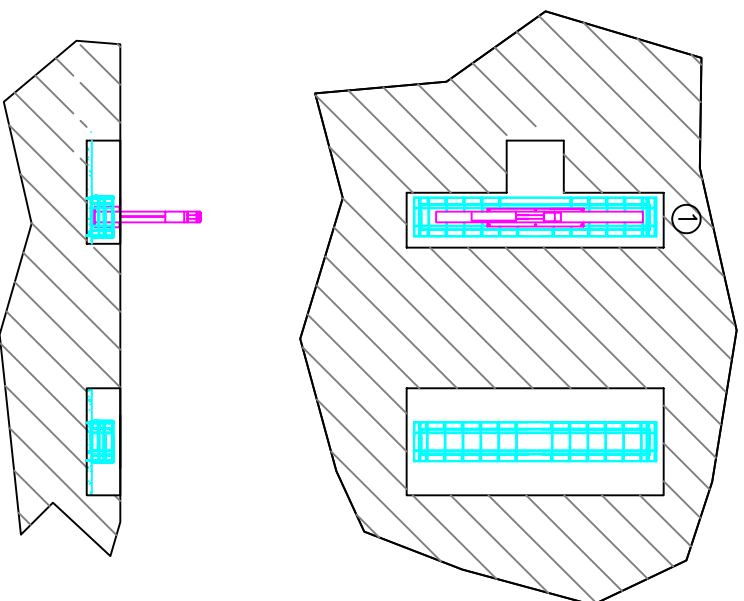
STAGE 2  
PLACE REBAR CAGE (GC1100-1-02)  
INTO POSITION.



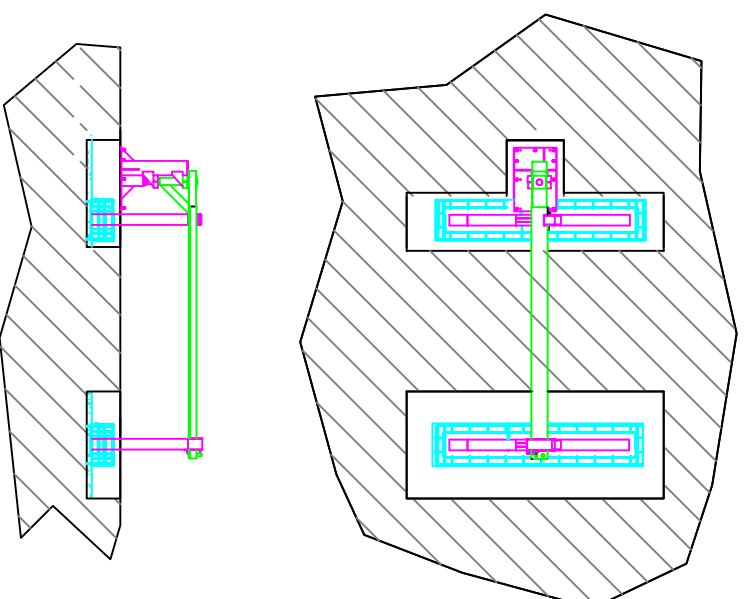
STAGE 3  
FIRST POUR C35 CONCRETE, ENSURE IT IS AT THE  
CORRECT DEPTH FROM FINISHED FLOOR LEVEL,  
TAMP TO REMOVE AIR BUBBLES.  
TROWEL TO A FLAT AND LEVEL FINISH.



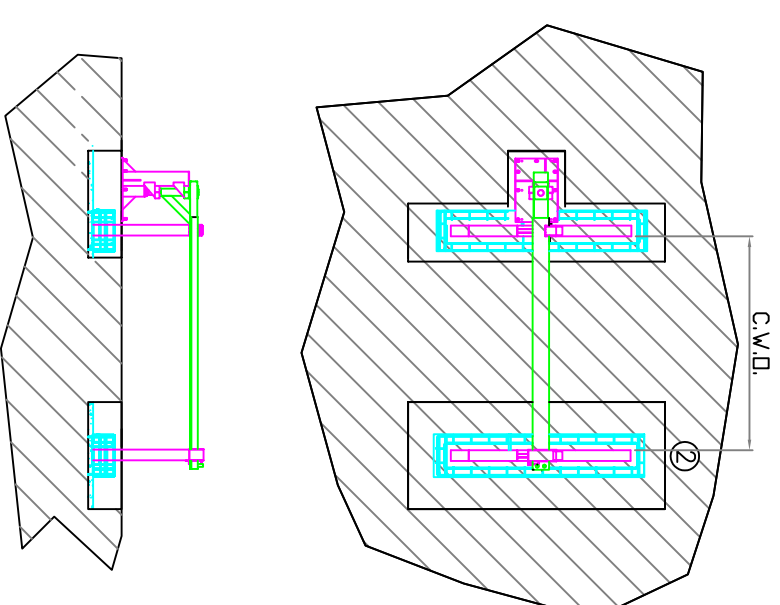
STAGE 4  
ORIENTATE BARRIER CATCHERS FACING IMPACT DIRECTION.  
ENSURE A FRAMES ARE SITTING FLAT LEVEL AND PARALLEL TO EACH OTHER.  
SECURE ① USING 6 OFF CHEMICAL ANCHORS.



STAGE 5  
ASSEMBLE HINGE POST SHELF TO CATCHER A FRAME.  
EXTEND SHELF PROPS, ENSURE SHELF IS FLAT AND LEVEL.  
LOCATE HINGE POST ON TABLE.  
ASSEMBLE BOOM WITH HINGE BLOCKS.



STAGE 6  
FINAL CHECK LEVELS AND C.W.O.  
SECURE ② USING 6 CHEMICAL ANCHORS.  
TERMINATE DUCTING AND SEAL OFF.  
POUR UP TO F.F.L.



Avon Barrier Company Ltd.  
135 South Liberty Lane  
Ashton Vale Trading Estate  
Bristol BS3 2JU  
Tel: (44) (0)117 963 5252  
Fax: (44) (0)117 963 5373  
E-mail: technical@avon-barrier.co.uk

INSTALLATION SEQUENCE  
FOR SECURITY  
SWING GATE

IF IN DOUBT ASK	A	MANUFACTURE	M.J/8/4/09				
3rd ANGLE PROJECTION	SSUE	REVISION	SIG.	DATE	Drawn	Checked	Approved
COMPUTER GENERATED DO NOT ALTER BY HAND					M.J		
							4/09 NTS
							1
							A